

Art. ECO KIT 4C - M



EN

USE: Carriage for suspended loads.

TYPE: 4-wheel carriage.

LOAD FIXING SYSTEM: For fixing with special nut and lock nut.

MATERIAL: Electrogalvanized steel.

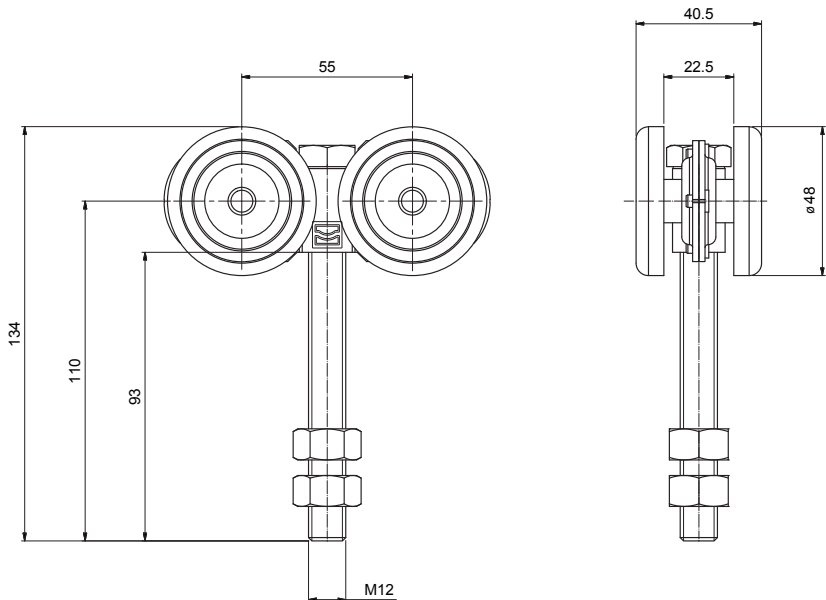
RECYCLING: Disposal as ferrous material in accordance with the current laws in the country of installation.

PARTS SUBJECT TO WEAR: Wheels.

IMPORTANT: The manufacturer reserves the right to modify the characteristics of the product as required without notice. The manufacturer declines any liability for even partial modifications to the product, and the declared performance values are valid only if the installation procedures are carried out by qualified personnel.

TECHNICAL CHARACTERISTICS		
ECO KIT 4C - M		
WEIGHT OF PART	1,1 Kg	
LOAD-BEARING CAPACITY	150 Lbs	
COMBINED MONORAIL	SP 24 - M CANALE U	
MAINTENANCE FREQUENCY		
LOW USE < 25 OPERATIONS/DAY	AVERAGE USE < 50 OPERATIONS/DAY	HIGH USE > 50 OPERATIONS/DAY
1 YEAR*	1 YEAR*	6 MONTHS*
Check wheel wear.		
Check fixing of load.		
*The scheme refers to a normal workplace (not marine or particularly aggressive environments).		

©2017 - FRATELLI COMUNELLO S.P.A. - All rights reserved
Via Cassola, 64 - 36027 Rosà (VI) Italy
info@comunello.it www.comunello.com



Art.		Code			
ECO KIT 4C - M	medium	19918125	150	20	22

All pictures, technical drawings and related specifications belong to Fratelli Comunello Spa and they are defended by rules of copyright. All uses not expressly authorized will be legally prosecuted. Product specification are subjected to change without notice.