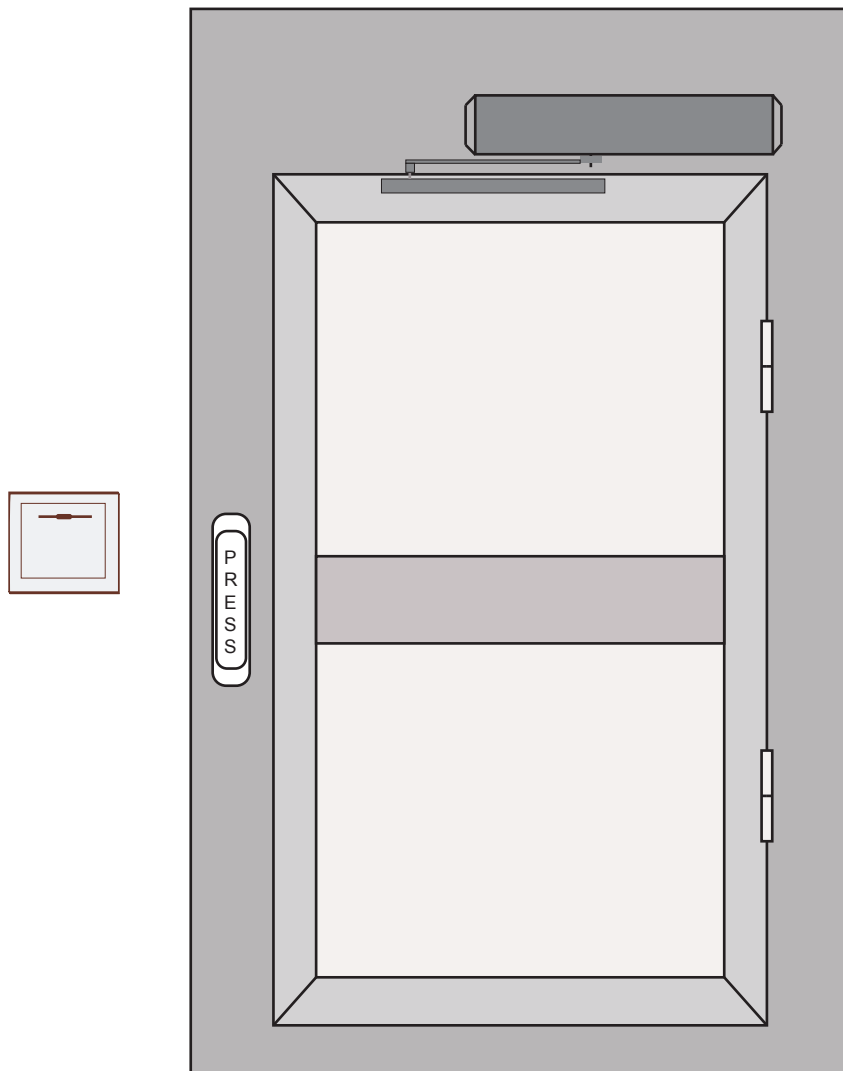


# MANUAL

SW200



**AUTOMATIC ENTRANCE SPECIALISTS**

# Content

1	Technical Parameters	1
2	Components	2
3	Installation step	3-11
3.1	Installation of bottom plate	3
3.2	Installation of bottom plate	4
3.3	Installation of pull bar	5-6
3.4	Installation of pull bar	7
3.5	Installation of push bar	8
3.6	Installation of push bar	9
3.7	Finished installation	10
3.8	Machanism and cover installation	11
4	Wired digram	12-15
4.1	Terminal details of controller	12
4.2	Date setting	12
4.3	Connection of commonly used and special function	13-15
5	Trouble shooting	16

# 1. Technical Parameters

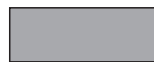
Dimensions:	515*95*80mm(LWH)
Weight:	8kgs
Ambient temperature:	-20 ~ +50 °C
Operation voltage:	AC 200V -250V
Power supply external consumer:	24V DC (±10%),3A
Door opening angle:	Max 120°
Opening speed:	45°/S
Closing speed:	45°/S
Hold-open time:	0-60S
Protection class:	IP42

mm=Door width

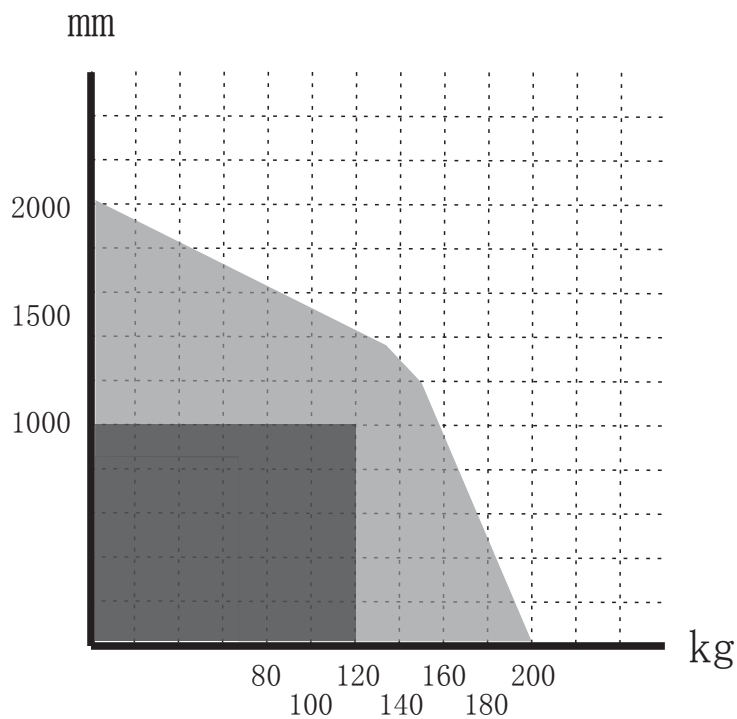
kg=Door weight



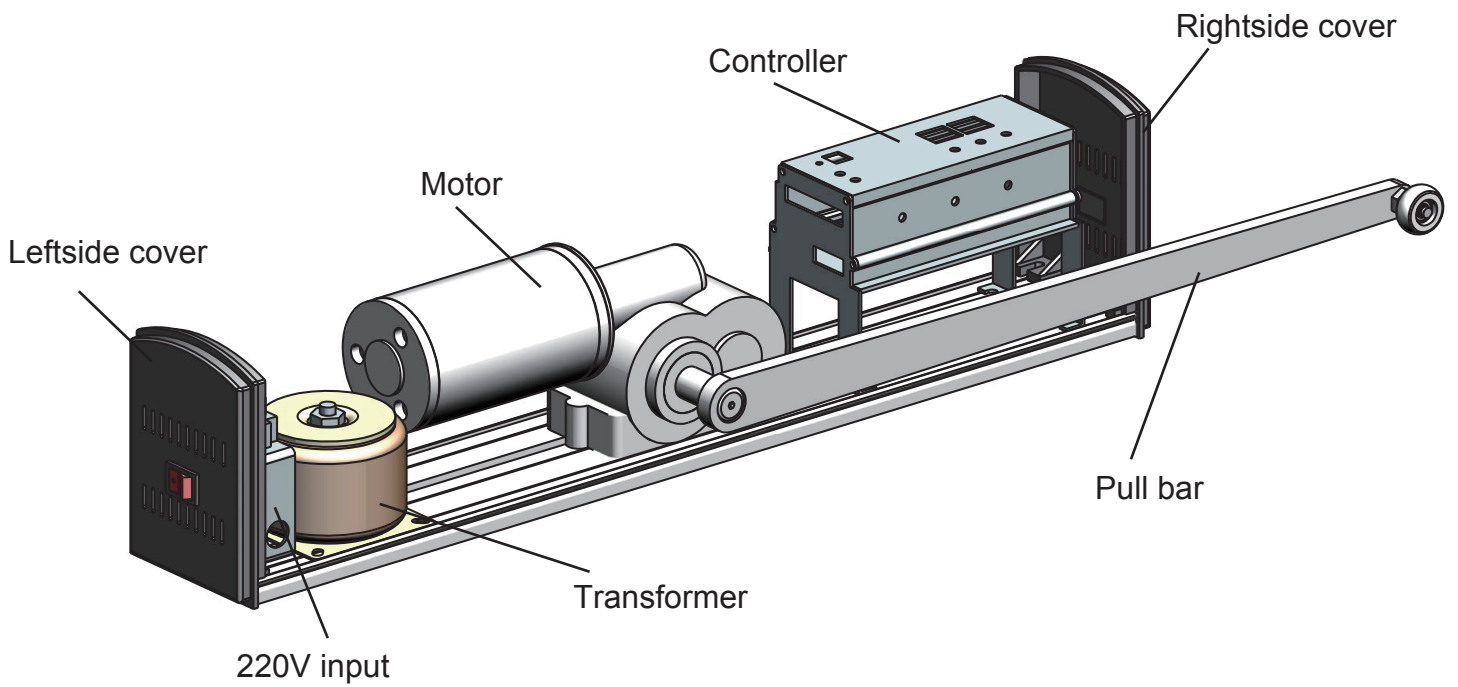
Suitable range





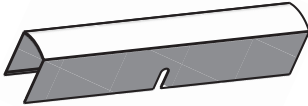

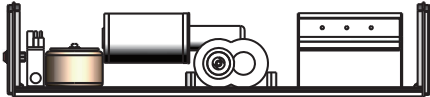
Limit range



# 1. Components

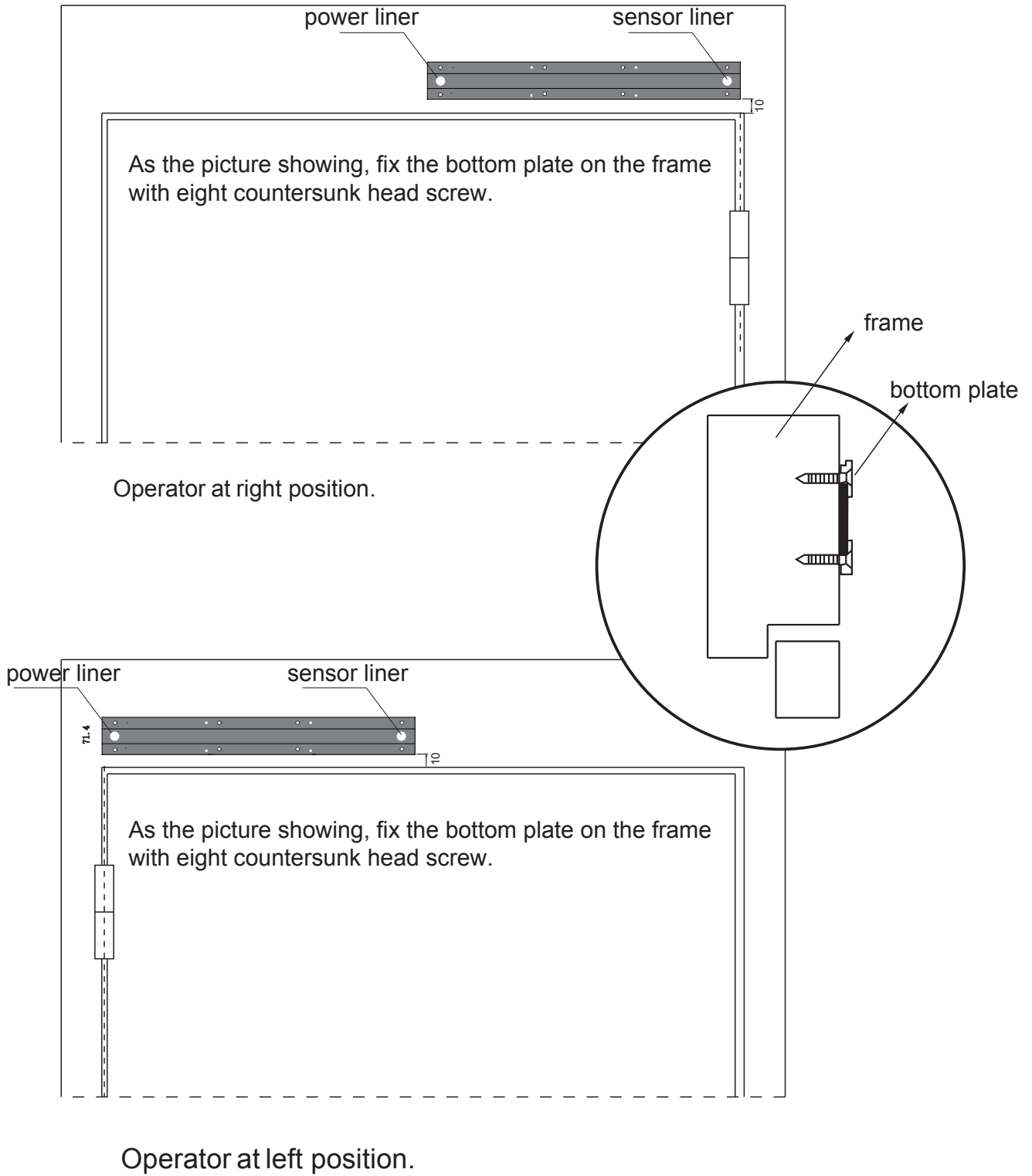


SW200

	Bottom plate
	Pull bar
	Cover
	Pull guider
	Mechanism

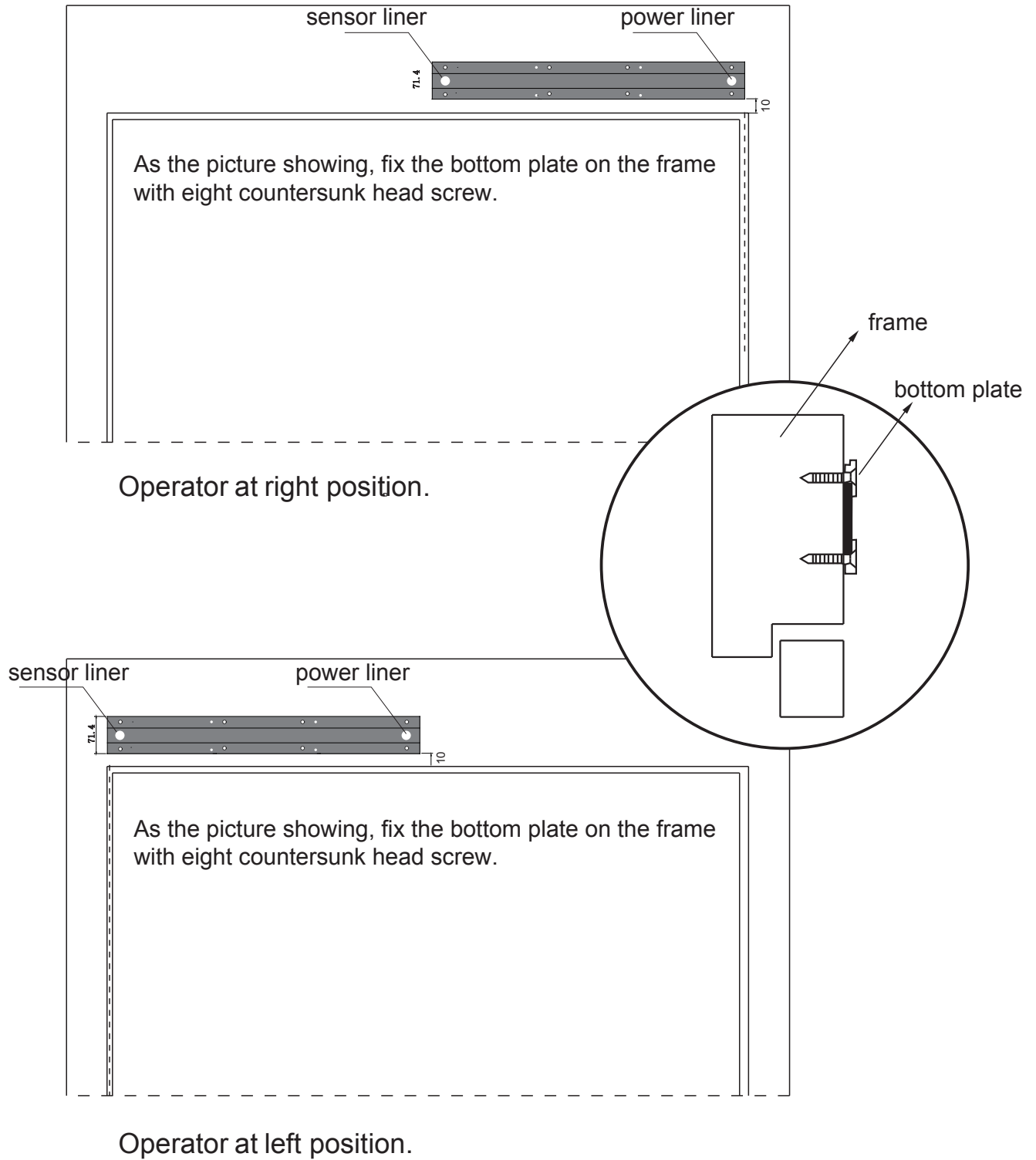
# 3. Installation step

## 3.1 Installation of bottom plate Pull bar type



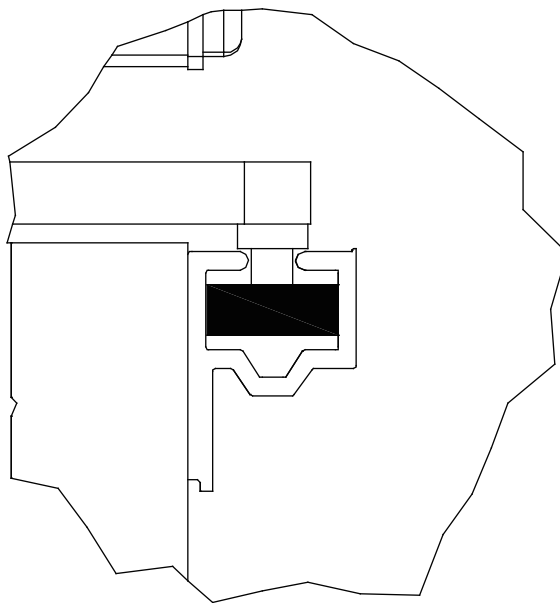
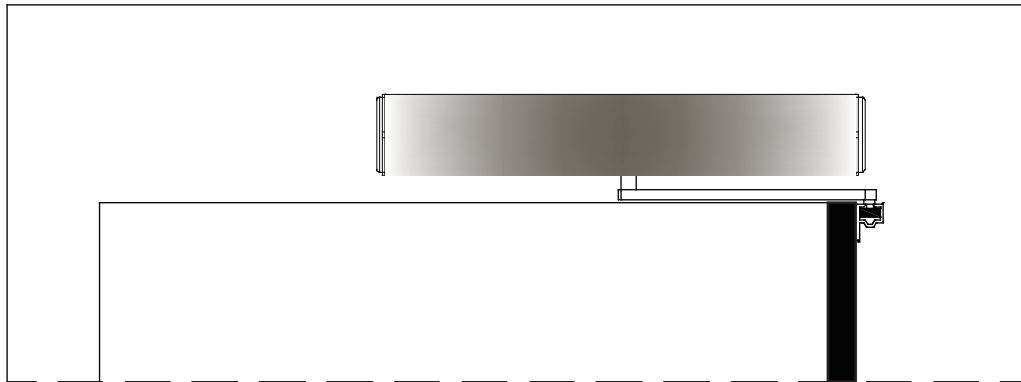
# 3. Installation step

## 3.2 Installation of bottom plate Push bar type



## 3.Installation step

### 3.3 Installation of pull bar guider

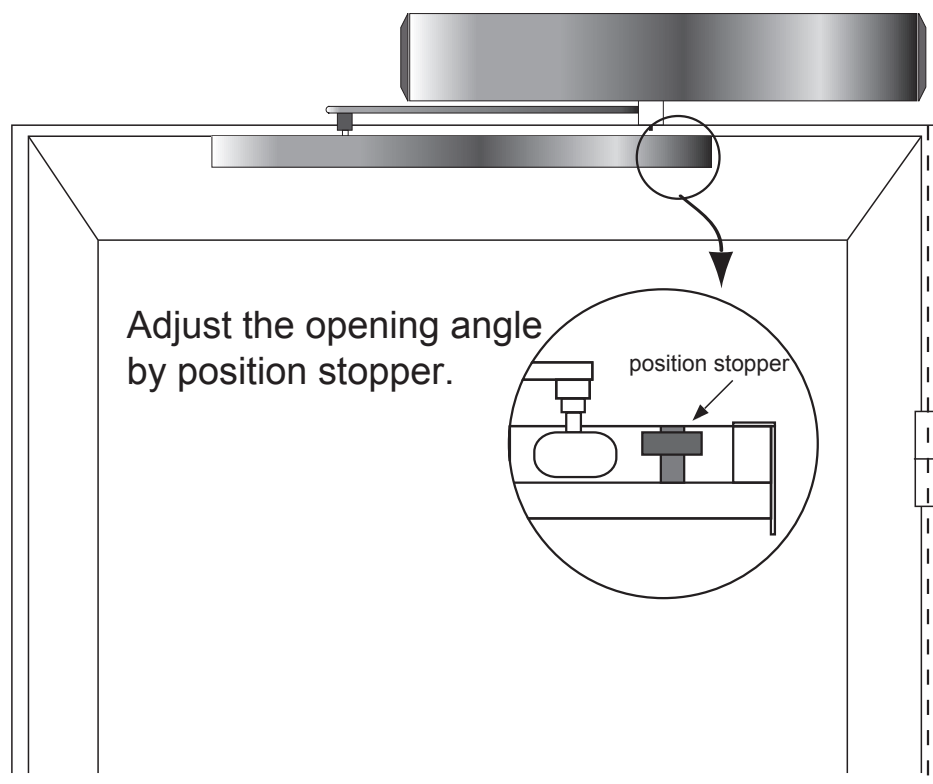
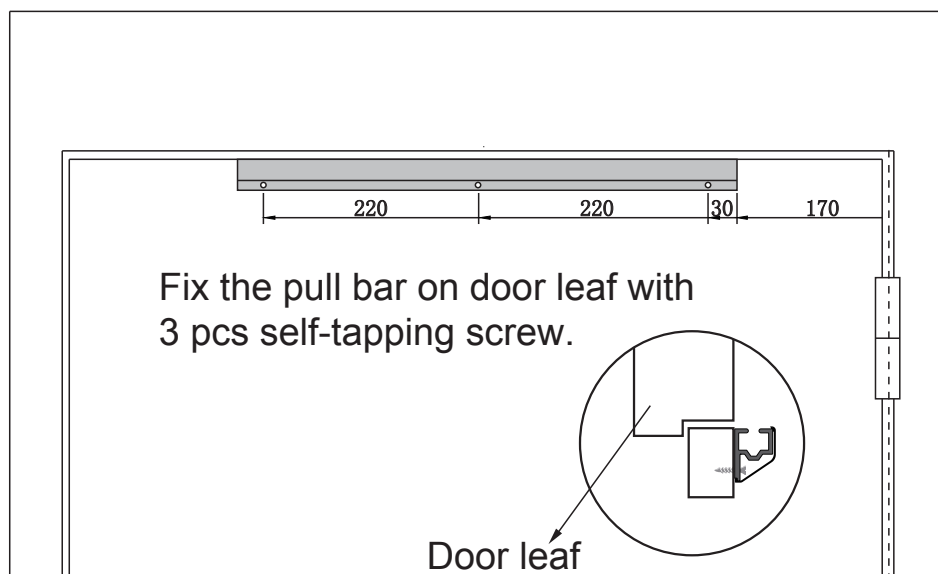


- 1.Open the door to 90 degree before installation , put the slider of pull bar into groove
- 2.Fix the pull bar installation plate according to the picture
3. Adjust the the position of slider installation plate, make sure the wheel is at the middle of groove as the picture shown
- 4.Keep the position of installation plate , tighten the first screw at the axis of door
- 5.Close the door , repeat the step 3 , tighten the second screw at another side
- 6.Manually open and close several times , make sure the pull bar is working perfect , If there is resistance please adjust the installation plate of pull bar again
- 7.Tighten the last screw

## 3. Installation step

### 3.3 Installation of pull bar guider

#### A. Right position

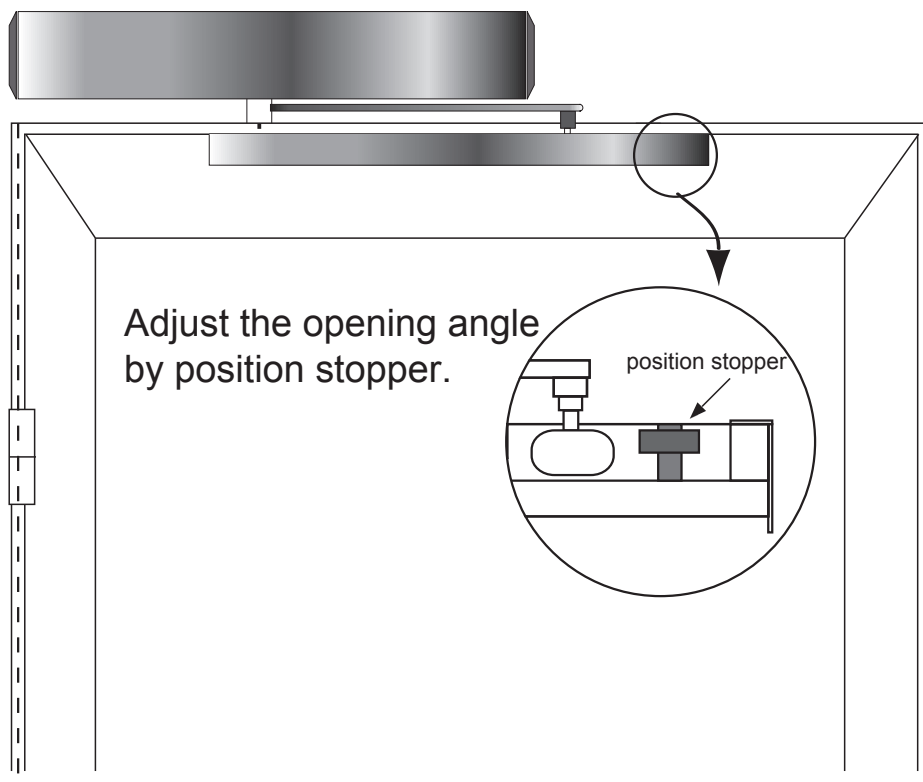
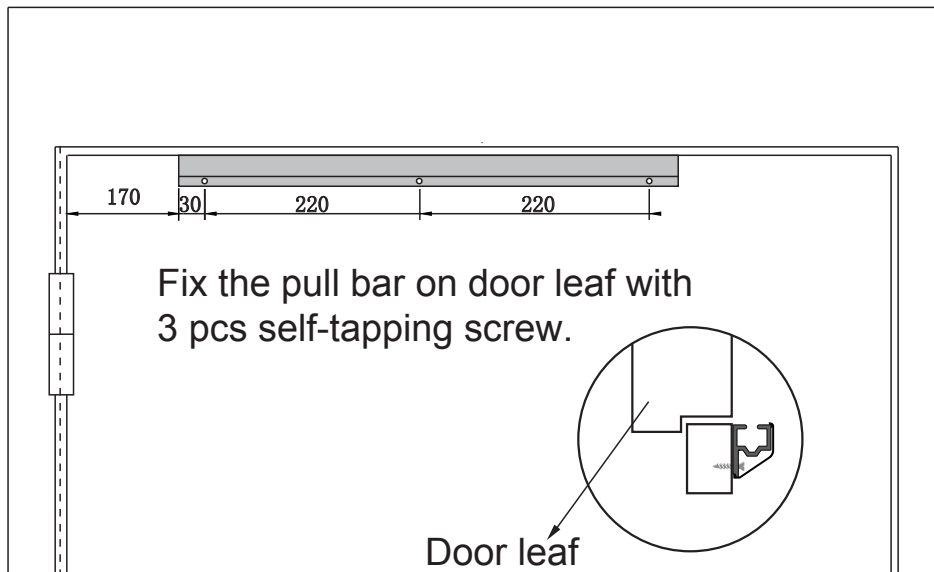




### 3. Installation step

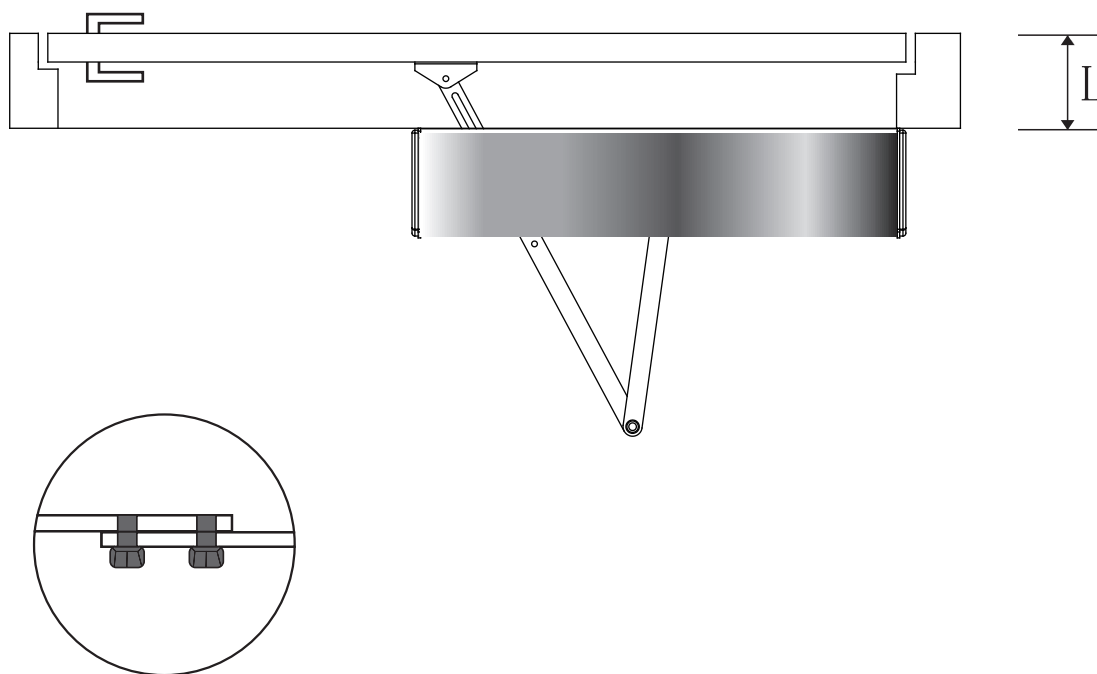
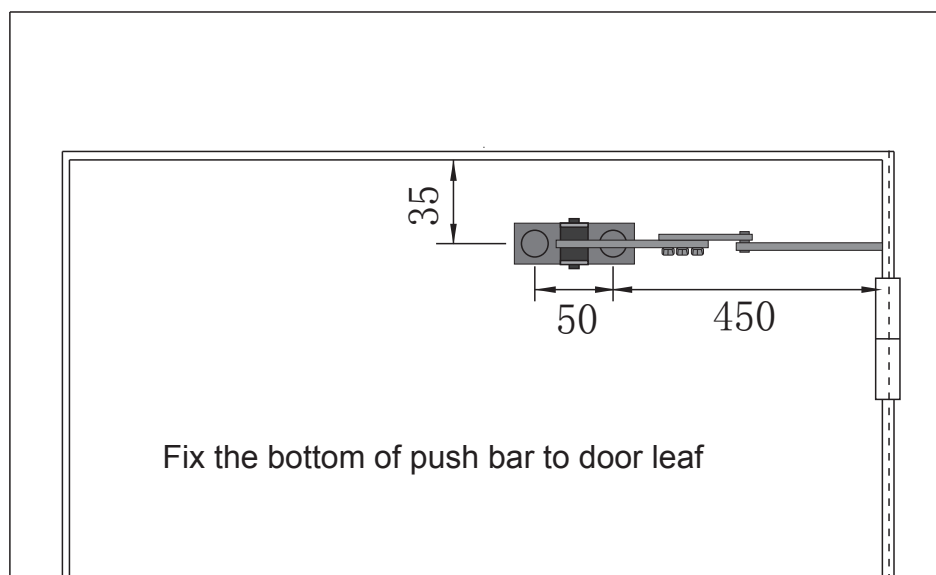
#### 3.4 Installation of pull bar guider

##### B. Left position



### 3. Installation step

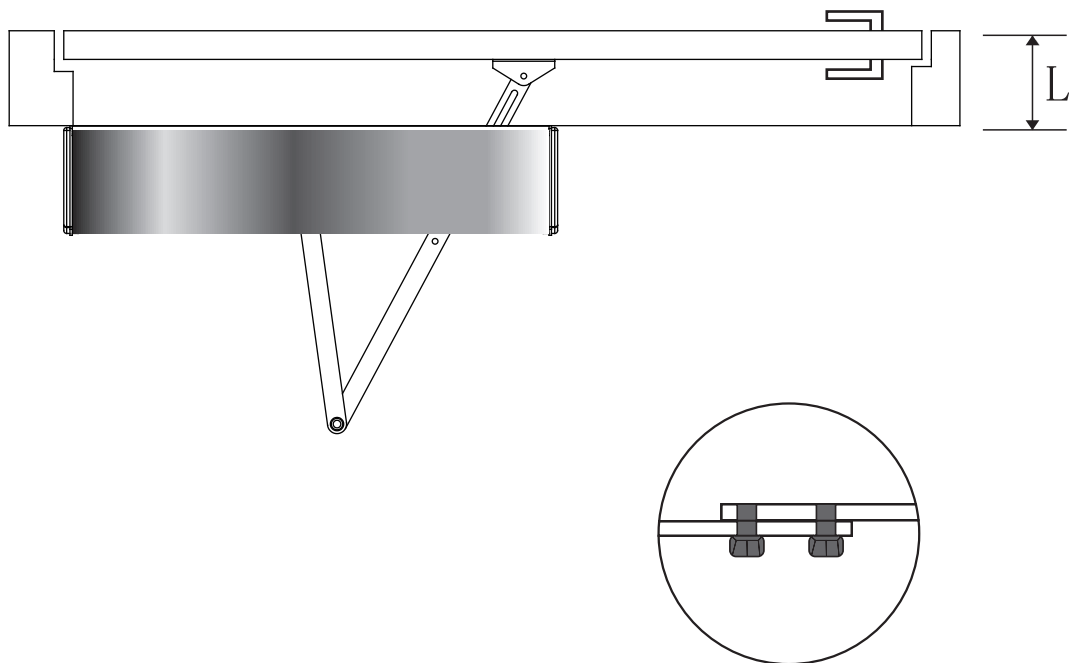
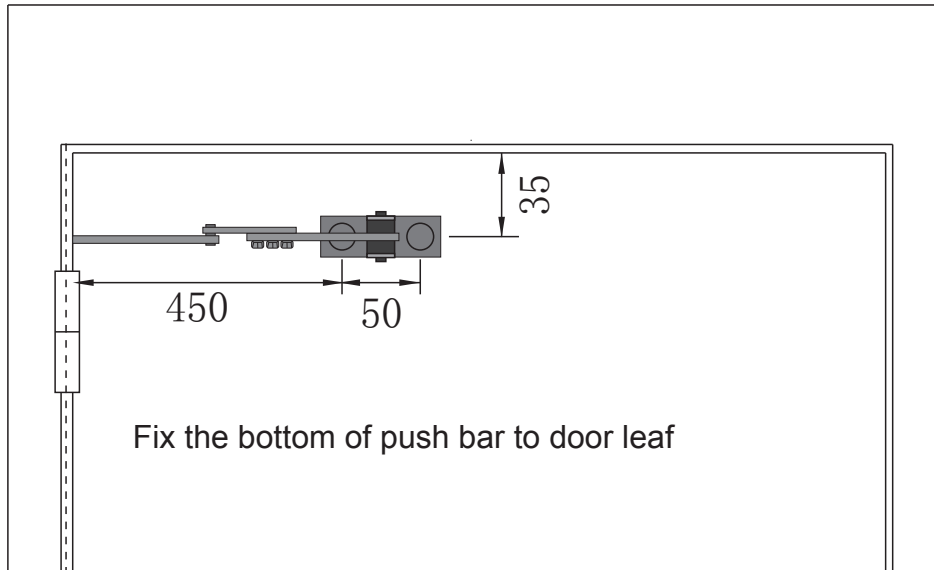
#### 3.5 Installation of push bar



Adjust the push bar length by two screw according to the door frame's depth(L).

### 3. Installation step

- 3.6 Installation of push bar  
B. Left position

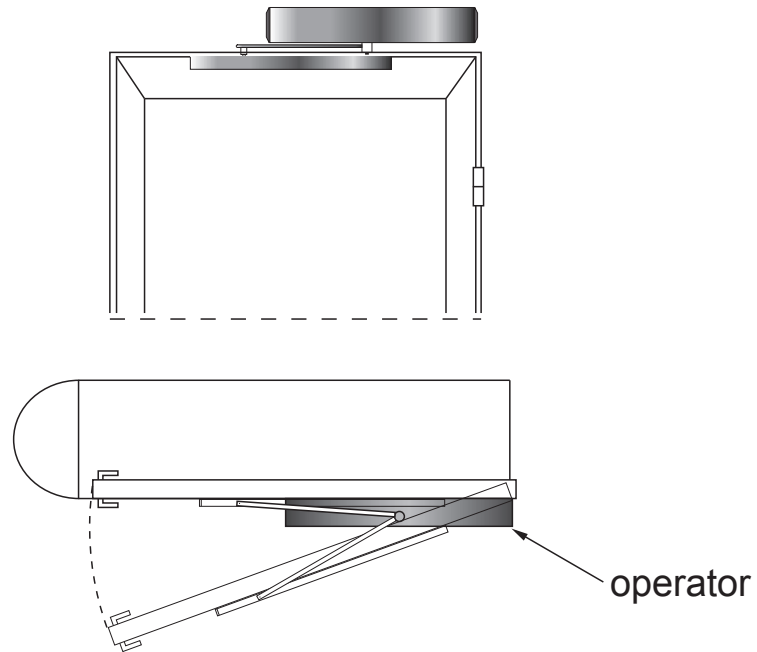


Adjust the push bar length by two screws according to the door frame's depth(L).

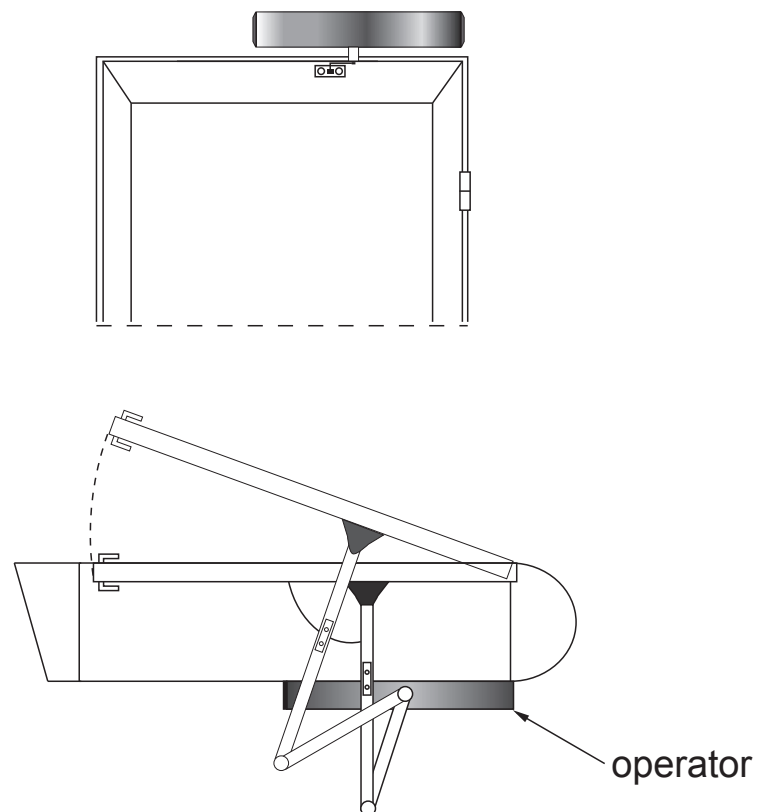
### 3. Installation step

#### 3.7 Finished installation

Pull bar: Door leaf open toward inside (same direction as operator)

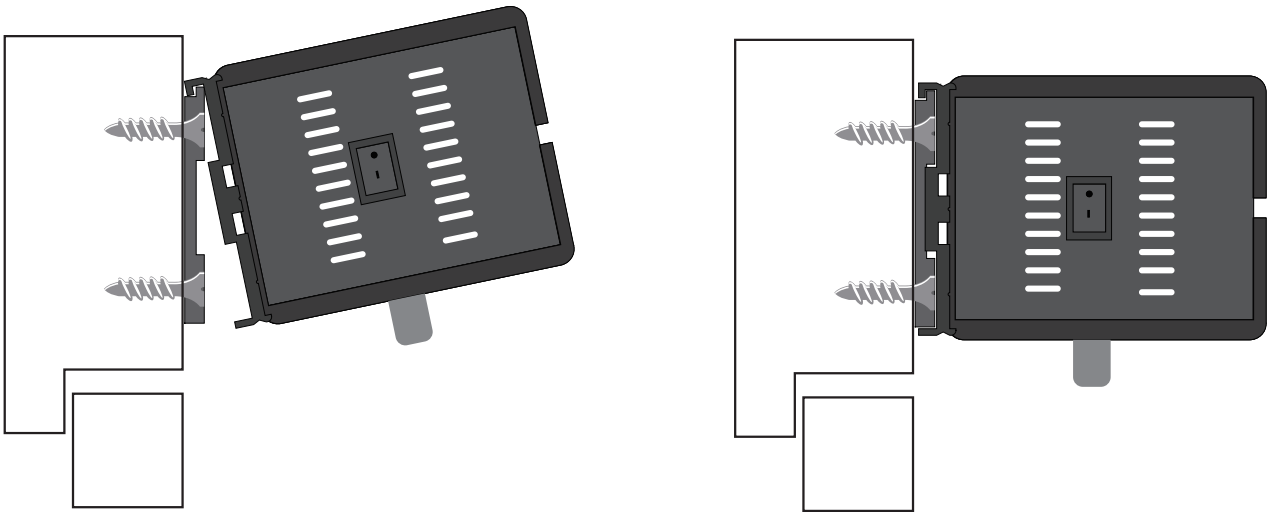


Push bar: Door leaf open toward outside (opposite direction as operator)



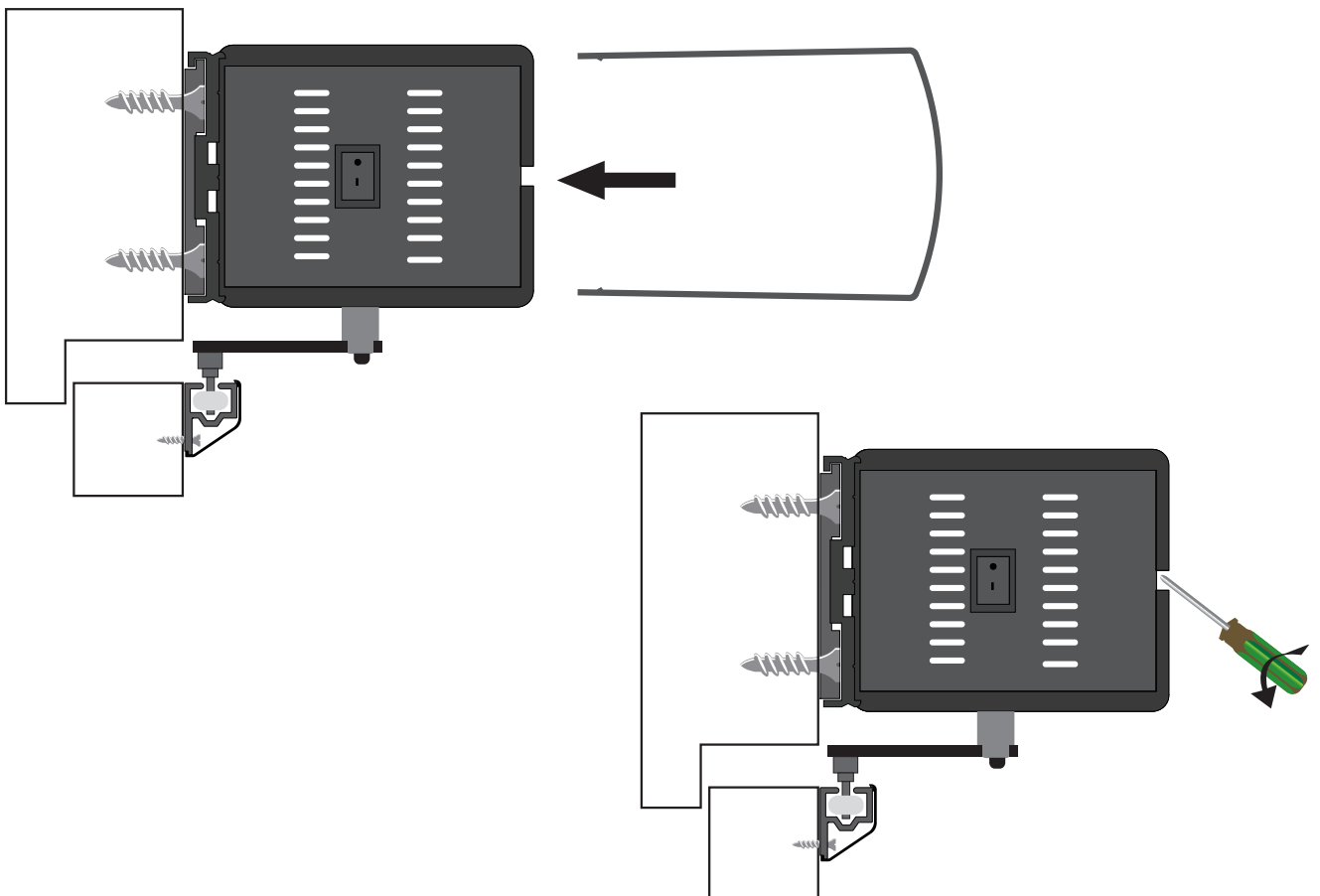
### 3. Installation step

#### 3.8 Mechanism installation



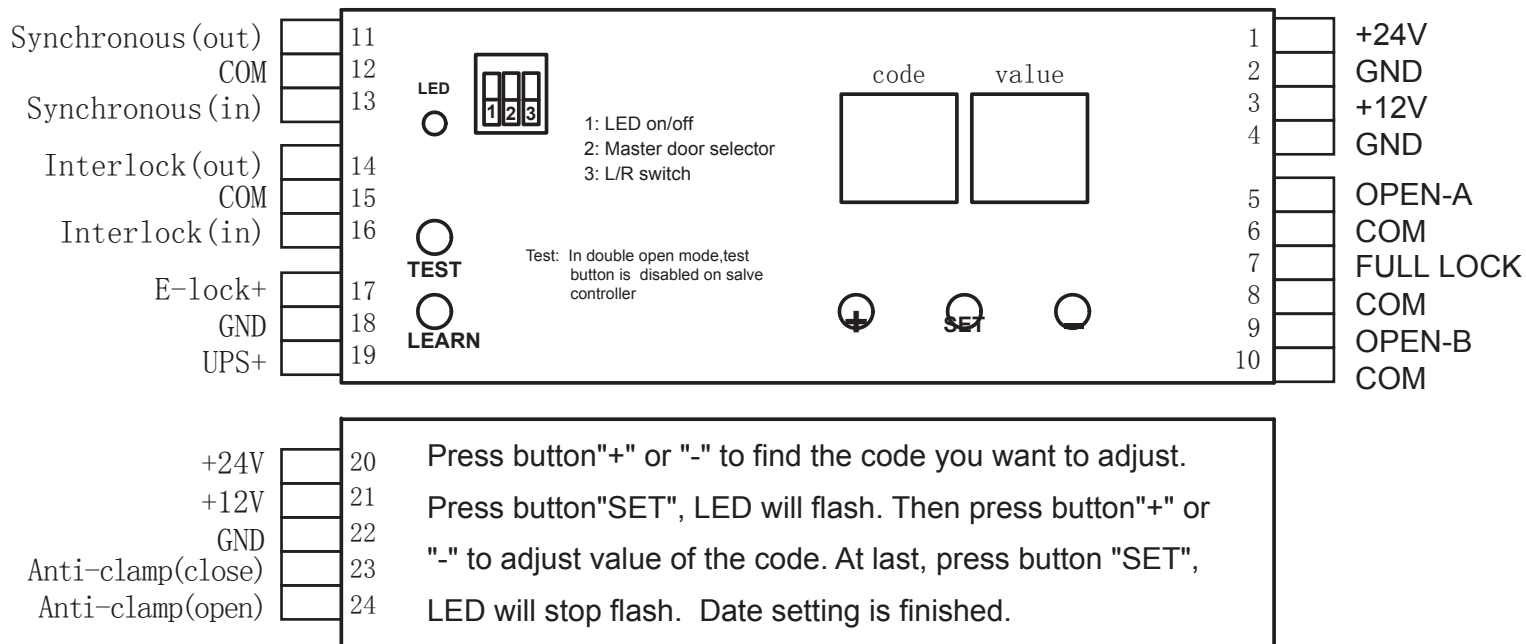
Hang the mechanism on the fixed base cover with screws.

Assemble and disassemble of the mechanism up cover.



# 4. Wired diagram

## 4.1 Terminal details



Note: Functions of dip switch 2 and 3 are active when power is on. Then restart the power. The dip switch selection is done.

## 4.2 Date setting

code	Setting range	Default	description
01	30-99	60	Opening speed(velocity open)
02	30-99	50	Closing speed(velocity close)
03	5-30	10	Buffer opening speed
04	5-30	10	Buffer closing speed
05	10-50	30	Buffer opening angle
06	10-50	30	Buffer closing angle
07	0-60	2	Hold-open time (0-60s)
08	0,1,2...8	3	Starting delay time (0-4s, 1=0.5s, when lock function working)
09	0,1,2...8	2	Locking delay time (0-4s, 1=0.5s)
10	0,1	1	Locking type (0: auto lock when closed; 1: lock by remote)
11	0,1	1	Push and go function (0: working, 1: not working)
12	1,2,3,4,5	3	Obstacle detection optimized for exterior(wind loads)
13	1,2,3,4,5	3	Auto-locking force
14	1,2,3,4,5	3	Anti-collision force
15	5-30	15	Auto-learning speed
16	0,1,2...10	2	Working interval between master and slave door (0-1s, 1=0.1s) On master door, the setting is working when closing ; On slave door, the setting is working when opening .

# 4. Wired Diagram

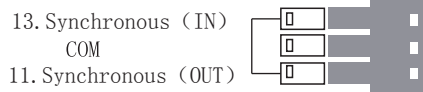
## Inter-lock



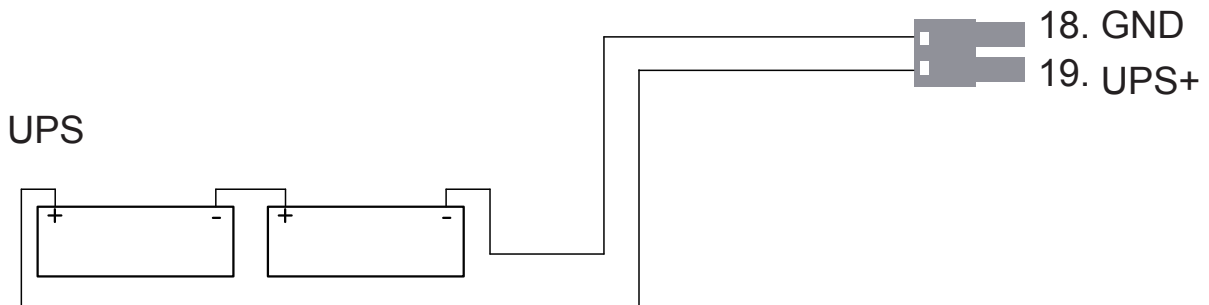
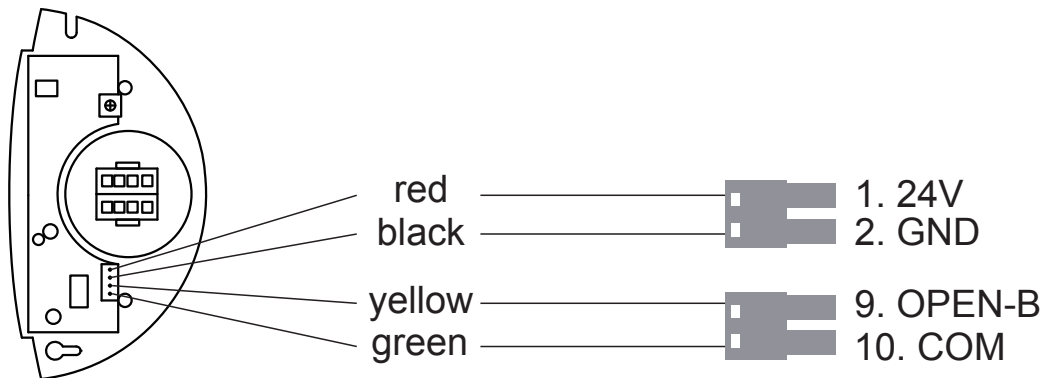
## Synchronous



In single open mode: bridge connect terminal 11 and 13

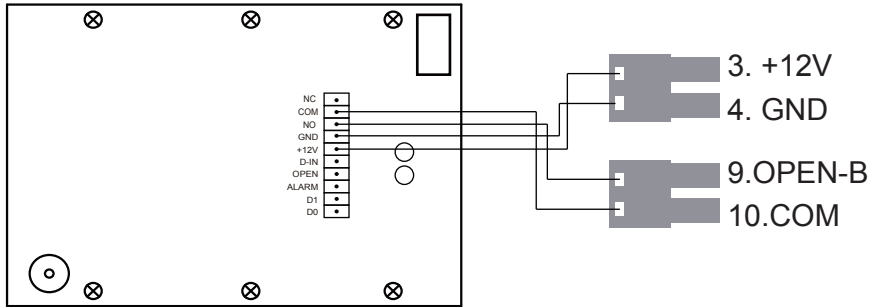


## 24G Microwave sensor

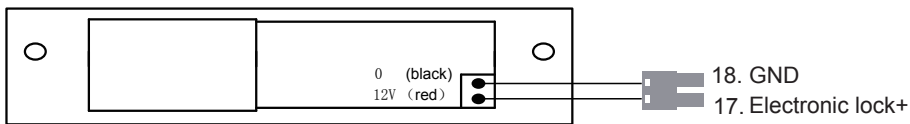


# 4. Wired Diagram

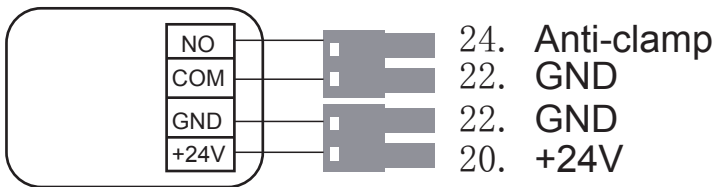
## Access keypad AK04



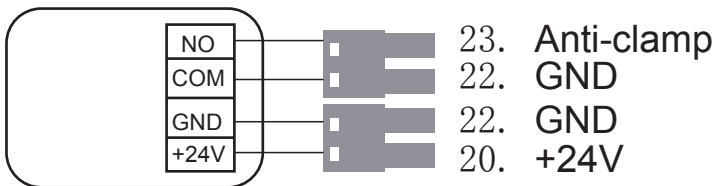
## Wiring connection of electronic lock



## Anti-clamp sensor when opening



## Anti-clamp sensor when closing





## 4. Wired Diagram

### Operation of remote control



**FC04:**    **A:** Automatic    **B:** Full lock    **C:** Always open    **D:** Open one time

**Add the remote :** press the learning button on controller till the indicator turn from green to red , then release the learning button and press A button on remote , the indicator turn from red to green alternately 3 times , learning successful.

**delete the remote:** press and hold the learning button , after 5seconds , the indicator turn from green to red and trun to green again , press A button on te remote , the he indicator turn from red to green alternately 3 times , all the remote memory is deleted (attention, pls hold he learning button when you delet the remote memory) .

**Wirless push button :** Added and deleted wireless push button is same as remote.  
Please check the DIP switch if it's same as the image shown (during setting process) .



## Notes:

1. Receiver has been built-in.
2. Lock grades: open A>full lock>open B.  
It means when full lock function working, it lock accessories connected to open B, but can't lock accessories connected to open A.
3. Exit only function:  
Connect outside sensor or button to terminal"Open-B", connect inside sensor or button to terminal "Open-A".Then press "full lock" button on remote.
- 4.When double open, the transmitter should learn both operators together.
- 5.In double open mode , accessories should connect to both controller ( parallel connection)

## 5. Trouble shooting

Symptoms	Causes	Items Checked	Remedies
Door opened or closed un-smoothly	Opening/closing speed is set too slow	check the opening/closing speed	speed up the opening/closing speed
	learning speed is too fast	check the learning speed	slow down the learning speed
	Too much resistance	check whether there is something on the door's working way	clear the obstacle away
Hit the door frame suddenly when closing, door stop suddenly when opening	Buffer speed when opening/closing is too fast		slow down the buffer speed when opening/closing
	Position stopper is loosen.		Fix the stopper.
Door doesn't work	No power	check the power switch, connection terminal from motor to controller	connect the power
	learning speed is too slow		speed up the learning speed.
	Door is locked	check whether the door is locked.	un-lock the door
	Obstacle in the pull bar's guider.	check the pull bar guider	remove the obstacle
	Resistance force is too stronge.		Power off, push the door leaf. Make sure the door work smoothly.