

# QUADSCAN

## ACTIVE INFRARED PRESENCE SENSOR



### PRIMARY APPLICATIONS



### DESCRIPTION

BEA's Quadscan is a presence sensor designed for use on pedestrian automatic swinging doors.

The Quadscan can be mounted at heights ranging from 43 to 118 inches. At a 78-inch mounting height, four active infrared safety spots provide approximately 15.75 inches of safety protection per sensor.

The Quadscan output offers individual safety side and approach side relays.

Four DIP switches provide user friendly adjustment for door side, AIR frequency, background reflectivity and uncovered zone height.

### FEATURES & BENEFITS

- Easy installation and setup without need for remote control
- Four DIP switches for user friendly adjustments
- Master / slave configuration for ease of wiring
- External monitoring\* for improved system safety

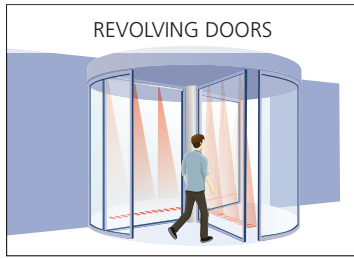
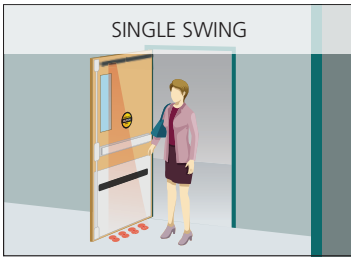
\* External monitoring requires a monitoring capable door control



BEA, Inc.  
RIDC Park West  
100 Enterprise Drive  
Pittsburgh, PA 15275-1213

Customer Service: 800.523.2462  
Technical Support: 800.407.4545  
www.BEAinc.com

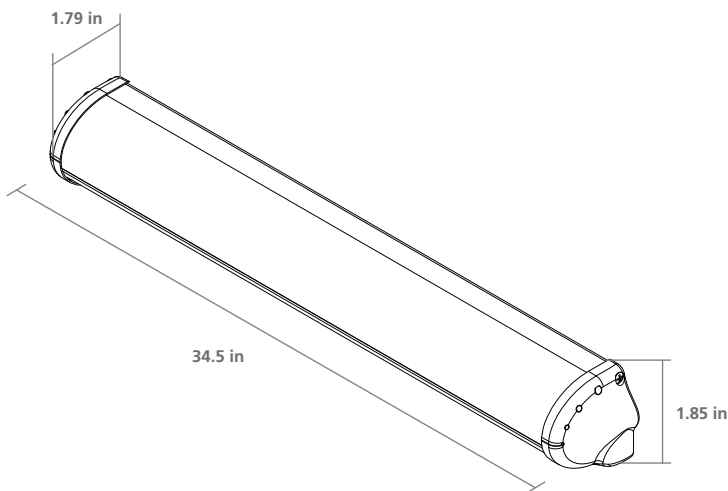
## APPLICATIONS



## TECHNICAL SPECIFICATIONS

<b>Technology</b>	Active Infrared
<b>Mounting Height</b>	43 in – 118 in (3 ft 7 in – 9 ft 10 in)
<b>Max. Number of Modules</b>	4; up to 6 if 24 VDC
<b>Detection Field at Finished Floor</b>	15.75 in (W) x 2.75 in (D) @ 78 in (H)
<b>Range Adjustment</b>	Mechanical range adjustment screw
<b>Reaction Time</b>	64 ms (typical)
<b>Input</b>	1 optocoupler (free of potential contact)
Max. Contact Voltage	30 V
Voltage Threshold	High: > 10 VDC; Low: < 1 VDC
<b>Output</b>	2 Relays Free of Potential Contact
Max. Contact Voltage	42 VAC / VDC
Max. Contact Current	1 A (Resistive)
Max. Switching Power	30 W (DC); 60 VA (AC)
<b>Supply Voltage</b>	12 V – 24 VAC ±10% 12 V – 30 VDC –5%; 10%
<b>Max Power Consumption (EACH MODULE)</b>	65 mA @ 24 VAC 75 mA @ 24 VDC
<b>Object Reflectivity</b>	Min. 5% @ IR-wavelength of 850 nm
<b>Degree of Protection</b>	IP53
<b>Temperature Range</b>	–13 °F – 131 °F (–25 °C – 55 °C) 0 – 95% Relative Humidity, Non-condensing
<b>Norm Conformance</b>	EMC 2004 / 108 / EC; MD 2006 / 42 / EC; EN ISO 13849-1:2008; Performance Level CAT 2; EN 12978

## TECHNICAL DRAWING



## RELATED PRODUCTS



**QUADSCAN**  
DOOR MOUNTED,  
ACTIVE INFRARED  
SAFETY SENSOR



**10QSMMASTER**  
SENSOR MODULE

Quadscan Series	Part Number	Description
<b>Quadscan I</b>	10QUADSCANI	1 Module 34.5 in end cap to end cap
<b>Quadscan II</b>	10QUADSCANII	2 Modules 34.5 in end cap to end cap

Quadscan Custom Series	Part Number	Description
<b>Quadscan I</b>	10QUADSCANICUSTOM	1 Module Custom Length
<b>Quadscan II</b>	10QUADSCANIICUSTOM	2 Modules Custom Length

www.BEAinc.com

© 2017 BEA, Inc. All rights reserved.

**QUADSCAN** ACTIVE INFRARED PRESENCE SENSOR

BEA, Inc.  
RIDC Park West  
100 Enterprise Drive  
Pittsburgh, PA 15275-1213

Customer Service: 800.523.2462  
Technical Support: 800.407.4545

