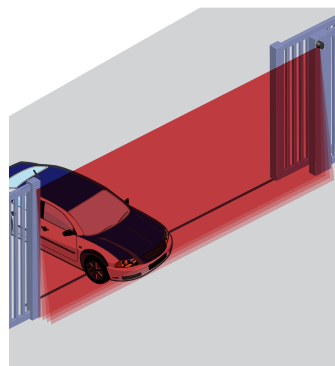


# LZR<sup>®</sup>-i30

## LASER SCANNER FOR INDUSTRIAL AUTOMATION



### PRIMARY APPLICATIONS



Maximum Detection  
Zone of 360 in x 360 in  
(30 ft x 30 ft)

### DESCRIPTION

BEA's LZR-i30 is a laser-based time-of-flight sensor. This high precision technology ensures accurate object detection. The product configuration provides four laser-based curtains offering a three dimensional safety zone.

The sensor is designed for the detection of people and vehicles, in both indoor and outdoor environments. The detection accuracy makes this sensor ideal for high performance industrial doors, vehicle flow safety, perimeter protection and variety of applications.

The LZR-i30 is housed in a NEMA 4 rated enclosure and can be installed in outdoor, industrial and other harsh environments. Three visible LED spots provide accurate reference points when adjusting the tilt angle. Parameter adjustments can be made with a BEA remote control.

### FEATURES & BENEFITS

- Four curtains of detection each capable of 360 in x 360 in (30 ft x 30 ft)
- Detects objects as small as 2 inches at 30 feet away, depending on application
- Degree of protection: NEMA 4 / IP65
- Has the ability to ignore dynamic ground conditions and extreme weather
- Three visible LEDs for pattern alignment



BEA, Inc.  
RIDC Park West  
100 Enterprise Drive  
Pittsburgh, PA 15275-1213

Customer Service: 800.523.2462  
Technical Support: 800.407.4545  
www.BEAinc.com

## APPLICATIONS

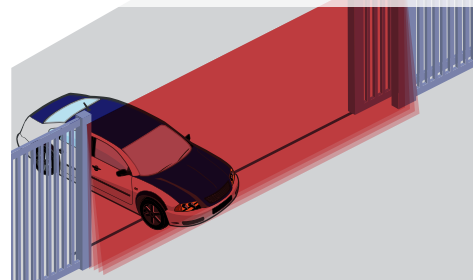
### AUTOMATIC INDUSTRIAL DOORS



### VIRTUAL PUSH PLATE



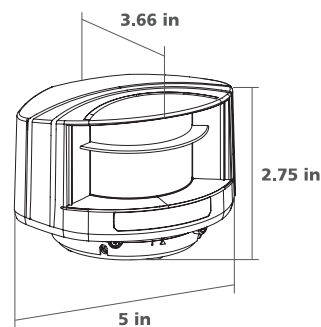
### GATES AND BARRIERS



## TECHNICAL SPECIFICATIONS

<b>Technology</b>	LASER scanner, Time-of-Flight measurement
<b>Detection Mode</b>	Motion / Presence (EN 12453 Typ. E)
<b>Max. Detection Range</b>	360 in x 360 in (30 ft x 30 ft)
<b>Detection Plane</b>	4 curtains per sensor, curtain spread dependent on mounting height
<b>Remission Factor</b>	> 2%
<b>Emission Characteristics</b>	
IR LASER	Wavelength 905 nm; maximum output pulse power 75 W
Red Visible LASER	Wavelength 650 nm; maximum output CW power 3 mW
<b>Supply Voltage</b>	10 – 35 VDC @ Sensor Terminal (to be operated from SELV compatible power supplies only)
<b>Peak Current at Power-On</b>	1.8 A (Max. 80 ms @ 35 V)
<b>Power Consumption</b>	< 5 W
<b>Response Time</b>	Typ. 20 ms; max. 80 ms (+ output activation delay)
<b>Output</b>	2 electronic relays (galvanic isolated – polarity free)
Max. Switching Voltage	35 VDC / 24 VAC
Max. Switching Current	80 mA (resistive)
<b>LED-Signal</b>	1 Blue LED: Status « Power-on » 1 Orange LED: Status « Error » 2 Bi-colored LEDs: Detection / Output Status (Green: no detection; Red: detection)
<b>Dimensions</b>	
Housing	5 in (W) x 2.75 in (H) x 3.66 in (D) Adds 0.55 in
<b>Cable Length</b>	360 in (30 ft)
<b>Material</b>	PC / ASA
<b>Color</b>	Black
<b>Rotation Angle on Bracket</b>	±5° (Lockable)
<b>Tilt Angle on Bracket</b>	±3°
<b>Degree of Protection</b>	NEMA 4 / IP65
<b>Temperature Range</b>	-22 °F – 140 °F if powered 14 °F – 140 °F if unpowered
<b>Humidity</b>	0 – 95% non-condensing
<b>Vibrations</b>	< 2 G
<b>Pollution on Front Screens</b>	Max. 30%; Homogenous
<b>Test Body Dimensions</b>	< 11.81 in x 7.87 in x 27.56 in @ 276 in (EN 12445 test body A)
<b>Norm Conformance</b>	2006 / 95 / EC: LVD; 2002 / 95 / EC: RoHS; 2004 / 108 / EC: EMC; 2006 / 42 / EC: MD; EN 12453:2000 chapter 5.1.1.6, chapter 5.5.1 Safety device E; EN 12978:2009; EN ISO 13849-1:2008 CAT2, Pl “d”; EN 60529:2001; IEC 60825-1:2007; EN 60950-1:2005; EN 61000-6-2:2005; EN 61000-6-3:2006; IEC 61496-1:2009; EN 61496-3: 2008 ESPE Type 2; EN 62061:2005 SIL 2

## DIMENSIONAL DRAWINGS



## RELATED PRODUCTS



**10LZR130**  
LZR-130  
SENSOR



**10LZRS600**  
LZR-S600  
SENSOR



**10PS12-24**  
110-1224 VDC  
POWER SUPPLY



**10LBA**  
LZR MOUNTING  
BRACKET ACCESSORY



**10INDBRACKET**  
20 IN – 36 IN  
EXTENSION BRACKET



**10MINIBRACKET**  
6 IN – 12 IN  
EXTENSION BRACKET



**10REMOTE**  
BEA UNIVERSAL  
REMOTE CONTROL  
\*REMOTE IS REQUIRED

www.BEAinc.com

© 2017 BEA, Inc. All rights reserved.

LZR®-I30

LASER SCANNER FOR INDUSTRIAL AUTOMATION

79.0006.18 20180524

BEA, Inc.  
RIDC Park West  
100 Enterprise Drive  
Pittsburgh, PA 15275-1213

Customer Service: 800.523.2462  
Technical Support: 800.407.4545

