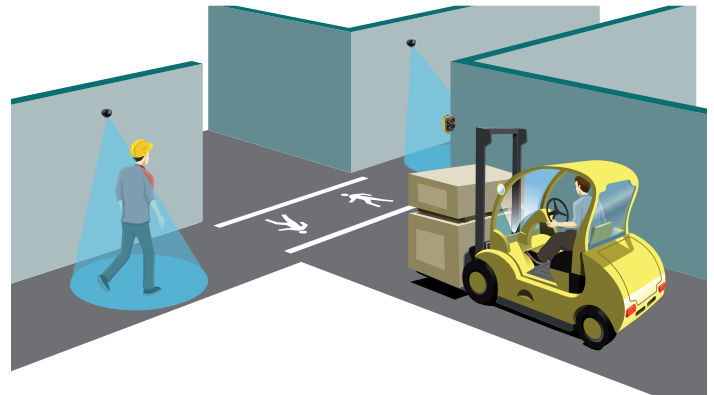


# COLIBRI ONE

## UNIDIRECTIONAL MOTION SENSOR FOR OFF-DOOR APPLICATIONS



### PRIMARY APPLICATIONS



### DESCRIPTION

BEA's Colibri One is a motion sensor designed for the detection of pedestrians, slow moving vehicles and other objects in motion.

Colibri One has the sensitivity to detect objects moving as slow as 2 in / s; and its compact size makes it a perfect motion detector for any commercial or industrial application, both indoor and outdoor.

Along with common pedestrian and industrial applications, this sensor has been used in custom mass transit configurations on trains and buses.

### FEATURES & BENEFITS

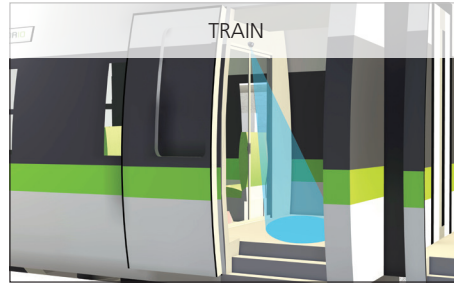
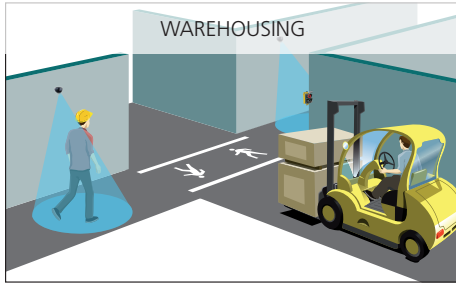
- Adjustable sensitivity settings for creation of customized sensing patterns
- Lateral angle adjustment for ceiling, wall and low level mount versatility
- Compact size provides flexibility in mounting
- Pairs with LED Signal Lights for warning indication applications



BEA, Inc.  
RIDC Park West  
100 Enterprise Drive  
Pittsburgh, PA 15275-1213

Customer Service: 800.523.2462  
Technical Support: 800.407.4545  
[www.BEAinc.com](http://www.BEAinc.com)

## APPLICATIONS



## TECHNICAL SPECIFICATIONS

<b>Technology</b>	Microwave Doppler Radar
<b>Detection Mode</b>	Motion
<b>Transmitter Frequency</b>	24.150 GHz
<b>Transmitter Radiated Power</b>	< 20 dBm EIRP
<b>Transmitter Power Density</b>	< 5 mW / cm <sup>2</sup>
<b>Min. Detection Speed</b>	2 in / s (measured in sensor axis)
<b>Supply Voltage</b>	12 – 24 VDC 30% / –10%
<b>Mains Frequency</b>	50 – 60 Hz
<b>Max. Power Consumption</b>	< 2 W
<b>Output</b>	Solid-state-relay (free of potential change-over contact)
Max. Contact Current	100 mA
Max. Contact Voltage	35 VDC / 24 VAC
<b>Mounting Height</b>	72 in – 120 in (6 ft – 10 ft)
<b>Degree of Protection</b>	IP54
<b>Temperature Range</b>	–4 °F – 131 °F
<b>Dimensions</b>	3.15 in (W) x 2.36 in (H) x 2.17 in (D)
<b>Tilt Angles</b>	0° – 90° vertical; –30° – 30° lateral
<b>Material</b>	ABS & polycarbonate
<b>Weight</b>	5 oz
<b>Cable Length</b>	96 in (8 ft)
<b>Norm Conformance</b>	R&TTE 1999 / 5 / EC; EMC 2004 / 108 / EC

## RELATED PRODUCTS



**10COLIBRI**  
MOTION SENSOR

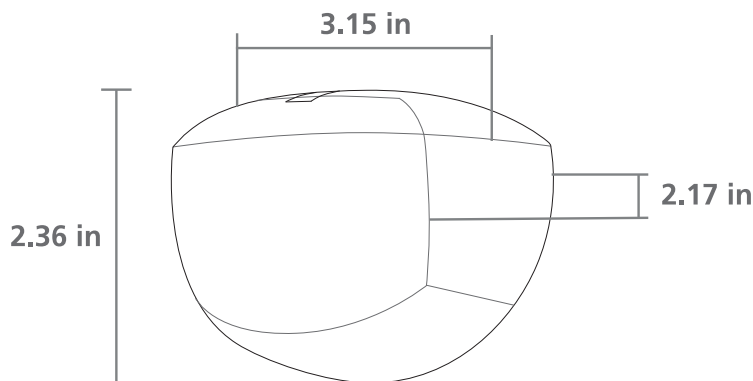


**10BR3**  
PROGRAMMABLE  
3-RELAY  
LOGIC MODULE



**1024VAC**  
24 VAC  
TRANSFORMER WITH  
MOUNTING FEET

## DIMENSIONAL DRAWINGS



[www.BEAinc.com](http://www.BEAinc.com)

© 2017 BEA, Inc. All rights reserved.

**COLIBRI ONE** UNIDIRECTIONAL MOTION SENSOR FOR OFF DOOR APPLICATIONS

BEA, Inc.  
RIDC Park West  
100 Enterprise Drive  
Pittsburgh, PA 15275-1213

Customer Service: 800.523.2462  
Technical Support: 800.407.4545

