

SensingEdge

Applications

- **Sectional Doors**

About the ME116...

When touched lightly, this pressure sensitive electric edge sends an immediate electrical signal to controls to, stop and/or reverse operations. The ME116 Sensing Edge has been designed to fit all CHI doors with double track bottom retainers. With appropriate mounting channel, this edge will fit nearly all doors from 1 1/2" to 2" thick. The ME116 is resistant to flame, water, and most common greases and oils.

OPTIONS:

- Color: Black
- 4 wire fail-safe configuration (highly recommended)
- Soft ends
- Coil Cord attached
- Retracting Reel
- 4 wire fail-safe intrinsically safe Control Panel (FSIS-25-4)
- Air-Wave (MAW116)



TECHNICAL SPECIFICATIONS:

Color:	Black
Length:	per specification to nearest 1/4
Lead Wire:	SJTO, 18 gauge, 2ft. length or 22 gauge universal
Sensitivity:	nominal 7-12 lbf
Electrical Diagram:	2 wire N.O. configuration
Electrical Maximum:	24 volt AC or DC, 1/2 amp
Mechanical Diagram:	See drawings on reverse side
Contact Element:	Alumaglas®
Materials:	Extruded Flexible PVC
Mounting Channel:	Supplied by CHI
Temperature Range:	-30°F to +155°F
Wire Outlet Location:	Universal, Right side, Left side or End

FUNCTIONAL BENEFITS:

- Touch Sensitive Signalling
- Small Profile
- Easy to Install
- Mounts Vertically or Horizontally
- ANSI/UL325 Recognized Component



Model # ME116

SensingEdge

Installation

Slide ME116 Sensing Edge into existing CHI mounting channel and wire per specifications.

Note: For safe operation, use a maximum 24 volt, 1/2 amp AC or DC power. For detailed installation and wiring instructions, contact MillerEdge, Inc.

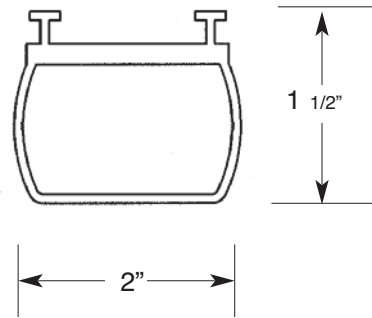
Warranty

We will replace within one year of shipment from our factory, any Sensing Edge subject to normal use which is found to have defective materials or workmanship, as determined solely by our factory representative. Replacements will be shipped to you freight collect. This warranty is void where evidence of mis-use or abuse is present.

Care of the ME116. . .

Minimal care is required for the ME116 since it is manufactured with only the most durable materials and the highest quality control standards. However, Sensing Edges must be examined regularly for cuts or punctures which could damage internal components. Check wiring to be sure connections are secure. When properly maintained, the ME116 offers years of trouble free operations.

Mechanical Diagrams:



Mounting Channels:

Specically designed by CHI Doors.



Contact Miller Edge to ensure compatability with your operating controls.
U.S. Patent #5,962,825 & #8,832,996 B2 CAN. Patent #2,008,021

ME116_Spec_20150220

P.O. Box 159 • West Grove, PA 19390 • (610)869-4422 • Fax: (610)869-4423 • 800-220-3343
6809 South Harl Avenue, Suite A, Tempe, AZ 85283 • (480)755-3565 • Fax (480)755-3558 • 800-887-3343
www.milleredge.com